



# 5300LN Series

Grade 2 Cylindrical Lever Locks



## innovation and inspiration

Thanks to state-of-the-art engineering and innovative thinking, the 5300LN is truly a source of inspiration. With three lever designs and a choice of twelve different finishes, you have the freedom and ability to match any décor.

But looks aren't everything. This revolutionary Grade 2 cylindrical lockset boasts design features such as a vandal-resistant Free Wheeling lever mechanism and adjustable door thickness (Patent #6,131,970) that makes installation a breeze. Through-bolting gives the 5300LN a secure fit that resists shaking and rattling. And with a lifetime warranty against lever sag, you never have to worry about your pleasing aesthetics becoming a displeasing eyesore.

### A.D.A.

The 5300LN meets accessibility guidelines of the Americans with Disabilities Act and the requirements of the Uniform Federal Accessibility Standards and ANSI 117.1, all requiring ease of accessibility for the handicapped.

### door thickness

Patented (patent no. 6,131,970) door adjustable rose support plates allow the 5300LN to easily adjust to doors from 1-3/4" (44mm) to 2" (51mm) thick. For 1-3/8" (35mm) or 2-1/4" (57mm) thick doors, please specify door thickness on order.

### installation

5300LN series cylindrical locks conform to ANSI/BHMA Specifications A156.115 which cover hardware preparations for steel doors and steel frames and A156.115-W which cover hardware preparations for wood doors with wood or steel frames.

### ISO 9001

Designed and manufactured under a certified ISO 9001 quality system.

### ANSI/BHMA

Certified ANSI/BHMA A156.2, Series 4000 Grade 2.



### free wheeling lever trim

All 5300LN functions



feature the Free

Wheeling lever mechanism. When the outside lever is locked, it will rotate freely up and down while remaining securely locked.

### microshield®

5300LN series locks are available with *MicroShield* antimicrobial coating. *MicroShield* is a revolutionary hardware finish coating, using a silver ion based technology, which inhibits the growth of bacteria, algae, yeast, fungus, mold and mildew. *MicroShield* is non-toxic and lasts for the lifetime of the finish to which it is applied. To order, suffix option code "YMS". Available for 626 finish, additional finishes by special application. Contact factory for availability.



Note: *MicroShield* coating may vary finish color from architectural standards. *MicroShield* is not intended as a substitute for traditional infection control programs such as hand hygiene or use of disinfectants. Coated products must still be cleaned to insure the surfaces will be free of destructive microbes. Yale makes no representations or warranties, express or implied, as to the efficacy of *MicroShield*.

### contents

- Introduction ..... 2
- Features ..... 3
- Lever Designs..... 4
- Functions ..... 5-7
- SecureX® ..... 8
- SecureX® Accessories ..... 9
- Cylinders ..... 10-11
- Latchbolts ..... 12
- Strikes ..... 13
- Ordering Information..... 14
- Sample Specification ..... 15

### fire listings

All functions are UL - cUL Fire Listed for use on fire doors having a rating up to and including 3 hours.

Note: Any retrofit or other field modification to a fire rated opening can potentially impact the fire rating of the opening, and Yale Locks & Hardware makes no representations or warranties concerning what such impact may be in any specific situation. When retrofitting any portion of an existing fire rated opening, or specifying and installing a new fire-rated opening, please consult with a code specialist or local code official (Authority Having Jurisdiction) to ensure compliance with all applicable codes and ratings.

### finishes

ANSI/BHMA Code	Finish Description
605	Bright Brass, Clear Coated
606	Satin Brass, Clear Coated
609	Satin Brass, Blackened, Satin Relieved, Clear Coated
612	Satin Bronze, Clear Coated
613	Satin Bronze, Oxidized and Oil Rubbed <sup>1</sup>
616	Satin Bronze, Blackened, Satin Relieved, Clear Coated
619	Satin Nickel Plated, Clear Coated
620	Satin Nickel Plated, Blackened, Satin Relieved, Clear Coated
625	Bright Chrome Plated
626	Satin Chrome Plated
693	Black Powder Coat
722	Black Oxidized Bronze, Oil Rubbed <sup>2</sup>

1. New May 1, 2010  
2. Formerly 613 prior to May 1, 2010



## features

### warranty

The 5300LN Series cylindrical lever lock carries a five-year warranty. Likewise, the 5300LN carries a lifetime warranty against lever sag and lever spring breakage.

### windstorm

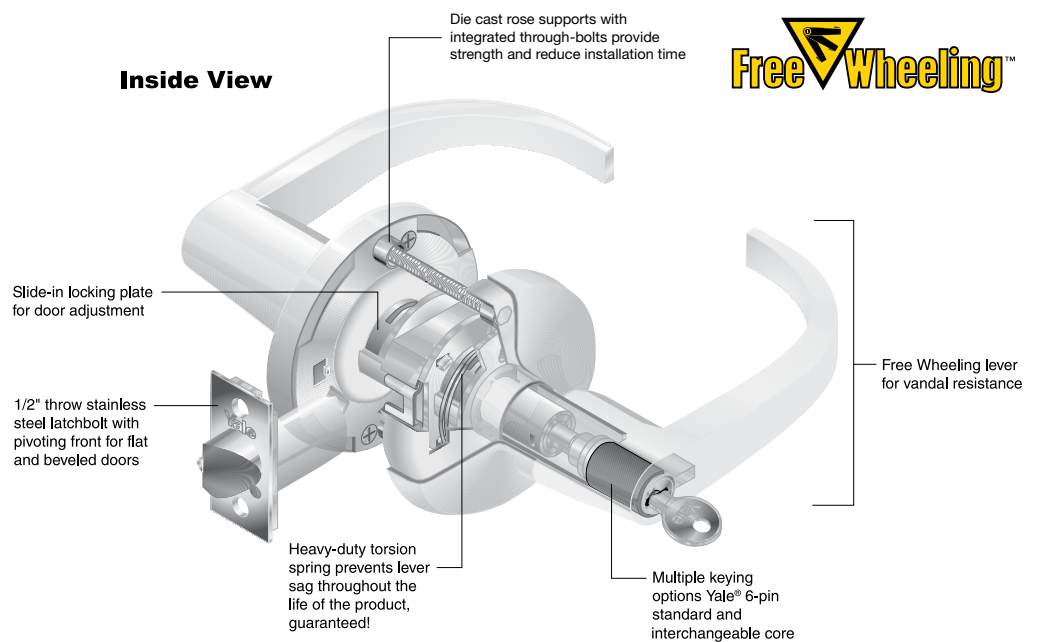
Certified (refer to local codes).



Hurricane

### full featured grade 2 key-in-lever lockset offering

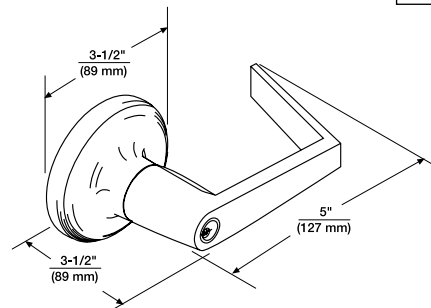
- Free Wheeling lever mechanism for increased vandal resistance
- 12 finish options
- 3 lever designs
- 19 mechanical functions, 4 electrified
- Adjustable door thickness: (Patent #6,131,970)
  - Pre-assembled for 1-3/8" (35mm) and 1-3/4" (44mm) doors
  - Preset at factory for 1-3/4" (44mm)
  - Special order available for 2" (51mm), 2-1/4" (57mm)
- 3-1/2" rose covers ANSI/BHMA door prep A156.115 "Spider Cut Out"
- Through-bolts solidly through the door, providing greater stability
- Wide range of Yale® 6-pin cylinder options:
  - Standard, Interchangeable core, Security and Yale® KeyMark® protected keyway cylinders (see page 10)
- Competitive keying options:
  - Standard cylinders with Schlage® C and Sargent® LA keyways
  - Levers which accept interchangeable core cylinders by Best®, Schlage®, Medeco® and ASSA®
  - Levers which accept standard cylinders by Schlage®
- Lifetime warranty against lever sag and lever spring breakage



## lever designs

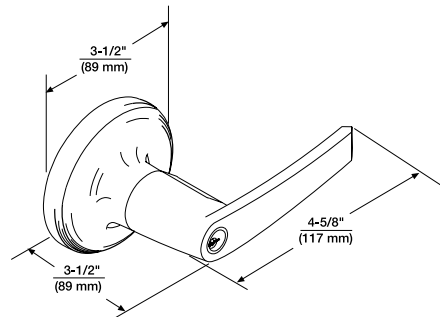
### Augusta AU

**Lever:** Cast Zinc  
**Rose:** Cold Forged Brass, Bronze



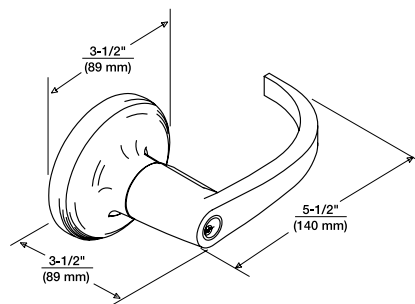
### Monroe MO

**Lever:** Cast Zinc  
**Rose:** Cold Forged Brass, Bronze



### Pacific Beach PB

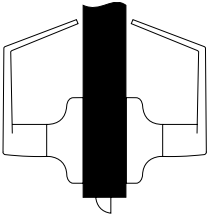
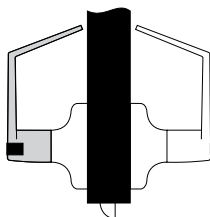
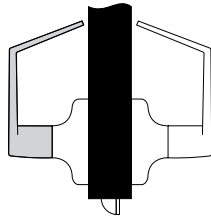
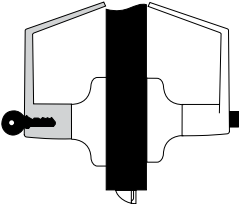
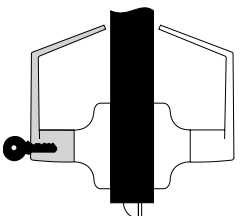
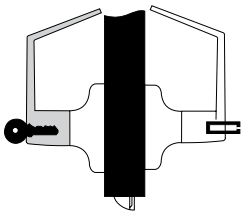
**Lever:** Cast Zinc  
**Rose:** Cold Forged Brass, Bronze



See page 10 & 11 to order interchangeable core cylinder.  
 Dimensions are in inches (millimeters).

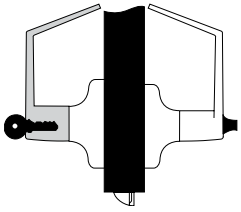
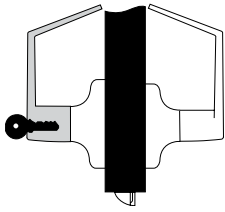
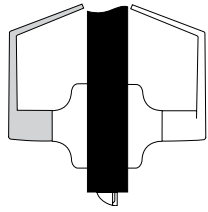
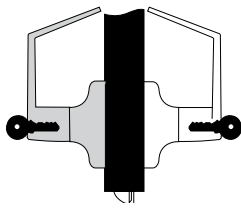
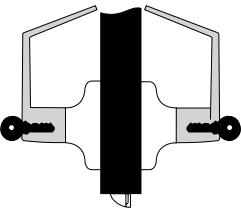
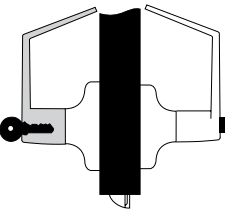
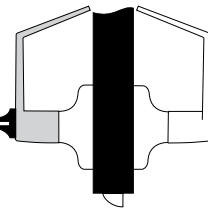
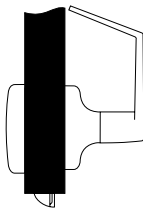


## functions

<p style="text-align: center;"><b>5301LN (F75)</b></p> <p><b>Passage or Closet Latch</b></p> <ul style="list-style-type: none"> <li>• For doors that do not require locking.</li> <li>• Either knob operates latchbolt at all times.</li> </ul>  <p style="text-align: center;">Outside                      Inside</p>	<p style="text-align: center;"><b>5302LN (F76B)</b></p> <p><b>Privacy, Bedroom or Bath Lock</b></p> <ul style="list-style-type: none"> <li>• For lavatory or other privacy doors.</li> <li>• Either lever operates latchbolt unless outside lever is locked by pushbutton inside.*</li> <li>• Button automatically releases when inside lever is turned or door is closed.</li> <li>• Emergency release in outside lever. Emergency key supplied. (P/N 14-5302-1053)</li> <li>• Inside lever always active.</li> </ul>  <p style="text-align: center;">Outside                      Inside</p>	<p style="text-align: center;"><b>5303LN (F77B)</b></p> <p><b>Patio or Privacy Lock</b></p> <ul style="list-style-type: none"> <li>• For exit doors with limited entry.</li> <li>• Deadlocking latchbolt.</li> <li>• Either lever operates latchbolt unless outside lever is locked by pushbutton inside.*</li> <li>• Button automatically releases when inside lever is turned or door is closed.</li> <li>• Inside lever always active.</li> </ul>  <p style="text-align: center;">Outside                      Inside</p>
<p style="text-align: center;"><b>5304LN (F82B)</b></p> <p><b>Entry Lock</b></p> <ul style="list-style-type: none"> <li>• For entrance or office doors.</li> <li>• Deadlocking latchbolt.</li> <li>• Either lever operates latchbolt (except when outside lever is locked from inside).*</li> <li>• Pushing button in inside lever locks outside lever. (Automatically releases when inside lever is turned or key is rotated in locked outside lever.)</li> <li>• Latchbolt is operated by key in outside lever or by rotating inside lever.</li> <li>• Inside lever always active.</li> </ul>  <p style="text-align: center;">Outside                      Inside</p>	<p style="text-align: center;"><b>5305LN (F86)</b></p> <p><b>Storeroom or Closet Lock</b></p> <ul style="list-style-type: none"> <li>• For use on storeroom, utility, exit doors.</li> <li>• Deadlocking latchbolt.</li> <li>• Latchbolt operated by lever inside, key in outside lever.</li> <li>• Outside lever always locked.*</li> </ul>  <p style="text-align: center;">Outside                      Inside</p>	<p style="text-align: center;"><b>5306LN (F92)</b></p> <p><b>Service Station Lock</b></p> <ul style="list-style-type: none"> <li>• Deadlocking latchbolt.</li> <li>• Either lever operates latchbolt.</li> <li>• Pushbutton in inside lever locks outside lever. (Automatically releases when inside lever is turned, door is closed or key is rotated in outside lever, except when slotted pushbutton is rotated 90° clockwise to retain outside lever in locked position.)*</li> <li>• Latchbolt operated by key in outside lever, inside lever always active.</li> </ul>  <p style="text-align: center;">Outside                      Inside</p>

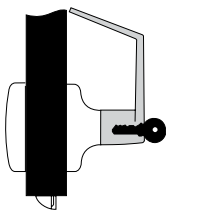
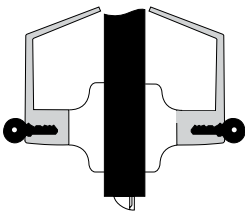
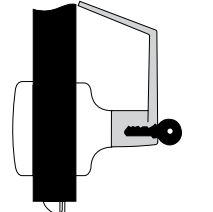
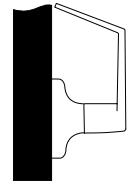
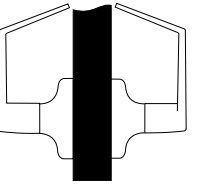
\*Lever handles are Free Wheeling in locked position. Shaded area denotes Free Wheeling lever.

## functions

<p><b>5307LN (F109)</b></p> <p><b>Entry Lock</b></p> <ul style="list-style-type: none"> <li>• For entrance, general home or office doors.</li> <li>• Deadlocking latchbolt.</li> <li>• Either lever operates latchbolt (except when outside lever is locked from inside).*</li> <li>• Pushing turn button in inside lever locks outside lever. (Automatically releases when inside lever is turned or key is rotated in locked outside lever.)</li> <li>• Outside lever may be retained in locked position by pushing and rotating turn button 90° clockwise to a horizontal position; not released until turn button is manually returned to the vertical position.</li> <li>• Latchbolt is operated by key in outside lever or by rotating inside lever.</li> <li>• Inside lever always active.</li> </ul>  <p>Outside      Inside</p>	<p><b>5308LN (F84)</b></p> <p><b>Classroom Lock</b></p> <ul style="list-style-type: none"> <li>• For classroom or utility room doors.</li> <li>• Deadlocking latchbolt.</li> <li>• Either lever operates latchbolt (except when outside lever is locked by key).*</li> <li>• Inside lever always active.</li> <li>• Key releases outside lever.</li> </ul>  <p>Outside      Inside</p>	<p><b>5309LN (F89)</b></p> <p><b>Exit Latch</b></p> <ul style="list-style-type: none"> <li>• For exit doors with no-entry desired.</li> <li>• Deadlocking latchbolt.</li> <li>• Outside lever always locked.*</li> <li>• Inside lever always active.</li> </ul>  <p>Outside      Inside</p>	<p><b>5318LN (F110)</b></p> <p><b>Intruder Classroom Lock</b></p> <ul style="list-style-type: none"> <li>• For classroom doors.</li> <li>• Deadlocking latchbolt.</li> <li>• Either lever operates latchbolt (except when outside lever is locked by key from either side).</li> <li>• Outside lever remains locked upon egress</li> <li>• Inside lever always active.</li> </ul>  <p>Outside      Inside</p>
<p><b>5321LN (F80)</b></p> <p><b>Communicating Lock</b></p> <ul style="list-style-type: none"> <li>• For communicating or store entrance doors.</li> <li>• Deadlocking latchbolt.</li> <li>• Either lever operates latchbolt (except when key in either lever locks or unlocks the lever independently of the other).*</li> <li>• Should be used only in offices or rooms with multiple entries.</li> </ul> <p><b>(NOTE: Not available with I.C. core cylinders.)</b></p>  <p>Outside      Inside</p>	<p><b>5322LN (F90)</b></p> <p><b>Corridor Lock</b></p> <ul style="list-style-type: none"> <li>• Deadlocking latchbolt.</li> <li>• Either lever operates latchbolt (except when outside lever is locked by inside push-button or key in outside lever). Inside lever always active.</li> <li>• When locked by button, the button automatically releases when inside lever is turned or door is closed.</li> <li>• When locked by key, the automatic release is made inoperative and must be manually unlocked by key.</li> </ul>  <p>Outside      Inside</p>	<p><b>5325LN</b></p> <p><b>Privacy Lock</b></p> <ul style="list-style-type: none"> <li>• For lavatory or other privacy doors.</li> <li>• Either lever operates latchbolt (except when outside lever is locked by inside pushbutton).*</li> <li>• Button automatically releases by turning inside lever or closing door.</li> <li>• Door can be unlocked, when necessary, by operating outside turnbutton.</li> <li>• No emergency key required.</li> <li>• Optional flush turnbutton available for outside. Specify option "FTB".</li> </ul>  <p>Outside      Inside</p>	<p><b>5328LN (F111)</b></p> <p><b>Communicating Passage Lock</b></p> <ul style="list-style-type: none"> <li>• For twin communicating or exit doors where one side operation is required.</li> <li>• Also when space is limited between door and switch panel.</li> <li>• Deadlocking latchbolt.</li> <li>• One lever operation.</li> <li>• Blank rose.</li> <li>• Should be used only where rooms have more than one entrance.</li> </ul>  <p>Outside      Inside</p>

\*Lever handles are Free Wheeling in locked position. Shaded area denotes Free Wheeling lever.

functions

<p><b>5329LN (F113)</b></p> <p><b>Communicating Classroom Lock</b></p> <ul style="list-style-type: none"> <li>• For twin communicating or closet doors where one side operation is required or space between doors is limited.</li> <li>• Deadlocking latchbolt.</li> <li>• Inside lever operates latchbolt except when lever is locked by key.*</li> <li>• Blank rose.</li> <li>• Should be used only where rooms have more than one entrance.</li> </ul> <p><b>(NOTE: Not available with I.C. core cylinders)</b></p>  <p>Outside      Inside</p>	<p><b>5330LN (F87)</b></p> <p><b>Utility, Asylum or Institutional Lock</b></p> <ul style="list-style-type: none"> <li>• Deadlocking latchbolt.</li> <li>• Latchbolt operated by key in lever from either side.</li> <li>• Both levers always locked.*</li> </ul> <p><b>(Note: Not available with IC core cylinders)</b></p>  <p>Outside      Inside</p>	<p><b>5339LN (F112)</b></p> <p><b>Communicating Storeroom Lock</b></p> <ul style="list-style-type: none"> <li>• For twin communicating or closet doors where one side operation is required or space between doors is limited.</li> <li>• Deadlocking latchbolt.</li> <li>• Latchbolt operated by key only in inside lever.</li> <li>• Inside lever always locked.*</li> <li>• Blank rose.</li> <li>• Should be used only where rooms have more than one entrance.</li> </ul> <p><b>(Note: Not available with I.C. core cylinders)</b></p>  <p>Outside      Inside</p>
<p><b>355LN</b></p> <p><b>Dummy Trim</b></p> <ul style="list-style-type: none"> <li>• For non-operational levers use for decorative trim.</li> </ul>  <p>Outside      Inside</p>	<p><b>355LN-D</b></p> <p><b>Double Dummy Trim</b></p> <ul style="list-style-type: none"> <li>• For non-operational lever used for decorative trim.</li> <li>• Through-bolted.</li> </ul>  <p>Outside      Inside</p>	

\*Lever handles are Free Wheeling in locked position. Shaded area denotes Free Wheeling lever.

## securex®

### operation

Electric locks provide the ability to electrically lock or unlock the outside trim from a remote location. Fail Safe locks are commonly used in stair towers to release upon fire alarm activation. Fail Secure locks are used on perimeter doors or security doors to allow ingress using access control technologies (proximity cards, keypads, etc.)



### features

- Free Wheeling lever mechanism.
- Self-contained, continuous-duty integral solenoid (allows installation in standard cylindrical prep).
- Available Fail Safe or Fail Secure.
- Available in 12 or 24 volts DC.
- External rectifier available upon request for AC operation.
- Mechanical cylinder override.
- All 5300LN cylinder options.
- Certified ANSI/BHMA Grade 2. 
- UL listed.
- 1-year limited warranty.

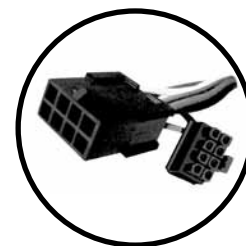
### electrical specifications

- Continuous duty solenoid  
150 mA @ 24VDC  
300 mA @ 12VDC

## electrolynx®

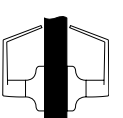
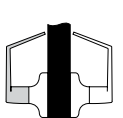
Yale® electrified 5300LN locks are equipped with *ElectroLynx* connectors. As a standard feature, these connectors link power from the incoming source to electrified locking products, including hinges, locks, exit devices, magnetic holders and strikes.

**Note: Electrified door hardware with *ElectroLynx* connectors requires a compatible number of lead wires attached to the door hinge.**



## functions

Outside	Inside	Function	Function Description
		5390LN	<b>Fail Safe</b> <ul style="list-style-type: none"> <li>• Power on locks outside lever.</li> <li>• Inside lever always active.</li> <li>• Latchbolt retracted by key when locked electrically.</li> <li>• Free Wheeling lever when locked electrically.</li> </ul>
		5391LN	<b>Fail Secure</b> <ul style="list-style-type: none"> <li>• Power on unlocks outside lever.</li> <li>• Inside lever always active.</li> <li>• Latchbolt retracted by key when power is off.</li> <li>• Free Wheeling lever when power is off (locked).</li> </ul>

Outside	Inside	Function	Function Description
		5380LN	<b>Fail Safe</b> <ul style="list-style-type: none"> <li>• Power on locks outside lever.</li> <li>• Inside lever always active.</li> <li>• Latchbolt retracted either side except when outside lever is locked electrically.</li> <li>• Free Wheeling lever when locked electrically.</li> </ul>
		5381LN	<b>Fail Secure</b> <ul style="list-style-type: none"> <li>• Power on unlocks outside lever.</li> <li>• Inside lever always active.</li> <li>• Latchbolt retracted either side when power is off.</li> <li>• Free Wheeling lever when power is off (locked).</li> </ul>



## securex<sup>®</sup> accessories

### BPS power supplies by securitron<sup>®</sup>

#### Operation

Power supplies are designed to provide reliable filtered and regulated power for long life to a variety of electrified hardware components.

#### Product Features

- Individual output circuit breakers
- Regulated and filtered fuse protected outputs
- LEDs monitor zone status (voltage or no voltage)
- Slide switches connect or disconnect load from power (Not available on 1 Amp supplies)
- Internal Back-Up battery charging circuit
- Rugged steel enclosure
- Fire alarm interface

#### Listings

- UL CLASS 2

#### Applications (use with):

- Fail Safe cylindrical locks
- Fail Secure cylindrical locks

#### Ordering

Ex: BPS-24-4, BPS-12-3

Model	Input	Output	Application
BPS-24-1	120 VAC	1 Amp @ 24 VDC	2-5300LN
BPS-24-2	120 VAC	2 Amp @ 24 VDC	5-5300LN
BPS-24-4	120 VAC	4 Amp @ 24 VDC	11-5300LN
BPS-12-1	120 VAC	1 Amp @ 12 VDC	1-5300LN
BPS-12-3	120 VAC	2 Amp @ 12 VDC	3-5300LN

Consult factory for additional power supply applications.

Yale recommends McKinney<sup>®</sup>, Pemko and Securitron<sup>®</sup> for power transfer devices and other electronic accessories.

## cylinders

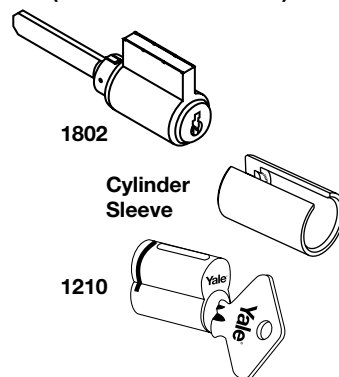
### cylinder options

The following selection guide indicates the correct cylinder for each locking segment.

Lockset Series: 5300LN		Types of Cylinder Mechanisms								
		Conventional		Protected Keyway		Security		High Security		
Cylinder Types	Fixed Core	6-pin	7-pin	6-pin	7-pin	6-pin	7-pin	6-pin	7-pin	
	Key-In-Lever	1802	N/A	K402	N/A	5802	N/A	N/A	N/A	
	<b>Interchangeable Core</b>									
	LFIC	1210	N/A	K800	N/A	5210	N/A	N/A	N/A	
SFIC	N/A	N/A	K600	K600	N/A	N/A	N/A	N/A		

Refer to Yale® KeyMark® and/or Cylinders and Keys Catalog sections for all details and how-to-order examples.

**Note: The 1802 Cylinder requires an adapter sleeve to fit in the 5300LN Lockset. (P/N 14-5305-9078-999)**



### Yale® KeyMark®

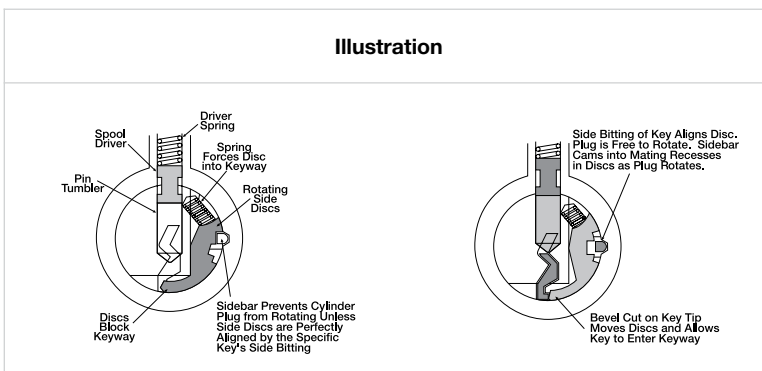
For those applications requiring protected key control, Yale® KeyMark® cylinders guard against unauthorized key duplication. The *Yale KeyMark Security Leg*® keyway feature increases resistance against picking and impressioning and can easily retrofit into existing systems. For further details and availability, refer to the separate *Yale KeyMark* catalog.



### security cylinders

Security cylinders contain two independent locking mechanisms. The first is a traditional 6-pin tumbler mechanism with spool drivers for greatly increased picking resistance.

The second is an innovative 5-tumbler rotating disc mechanism with sidebar engagement. The rotating discs are spring loaded and block the bottom of the keyway.



## cylinders

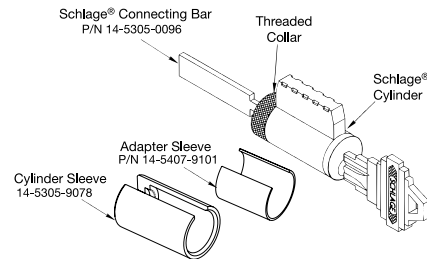
### 108S / 108L\* Schlage® cylinder adapter kit

Kit used to modify Schlage® cylinder for fit in the 5300LN.

P/N 14-5407-9101-999 - 108S

P/N 14-5305-9078-999 - 108L\*

Kit includes tailpiece and sleeve. To order the 108S adapter kit, use an "S" prefix (i.e., S-AU5307LN).



\* 2", 2-1/4" door.

### other manufacturer keyway cylinders

Illustration	Description	Model Number	Number of Pins
	Best® Keyway Cylinder. Available keyed random, master keyed or uncombined. Specify keyway A, B, C, D, E, F, G, H, J, K, L or M.	A600	6 or 7
	Schlage® "C" Keyway. Available 0-bitted or keyed random.	2802/2802L*	6
	Corbin Russwin "L4", Corbin "60", Russwin "D1", Sargent® "LA" or Schlage® "E" Keyway. Specify keyway. Available keyed random.	3804/3804L*	6

The 2802 and 3804 cylinders require an adapter sleeve (P/N 14-5407-9101-999) and a cylinder sleeve (P/N 14-5305-9078-999) to fit the 5300LN lockset. 3804 cylinders are not ANSI/BHMA certified.

\* 2", 2-1/4" door.

### levers accepting SFIC and other manufacturers' large format interchangeable cores

	Description	Prefix	Number of Pins
	SFIC (Accepts all Small Format Interchangeable Cores)	B (i.e. B-AU, B-MO, B-PB)	6 or 7
	Medeco®, ASSA® (LFIC)	M (i.e. M-AU)**	6
	Schlage® (LFIC)	SI (i.e. SI-AU, SI-PB)	6

\*\*Medeco®, ASSA® option available only with AU lever. (Note: For Medeco 32 series cores.)

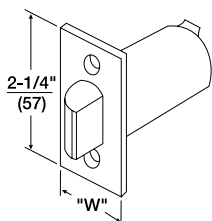
LFIC = Large Format Interchangeable Core

SFIC = Small Format Interchangeable Core

## latchbolts

### plain latchbolts

Model No. 380BN supplied standard with all 5300LN series locksets without locking function. Model No. 380BN latchbolt has a 2-1/4" x 1-1/8" front with a 2-3/4" backset and a 1/2" bolt throw. Optional latchbolts with greater backset available to special order.

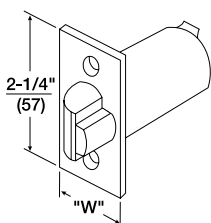


Model No.	Front	Backset	"W" Front Width	Throw	Latch Diameter*
378N	Universal	2-3/8" (60mm)	1" (25mm)	1/2" (13mm)	7/8" (22mm)
380DN	Universal	2-3/4" (70mm)	1" (25mm)	1/2" (13mm)	7/8" (22mm)
3380DN	Universal	3-3/4" (95mm)	1" (25mm)	1/2" (13mm)	7/8" (22mm)
380BN	Universal	2-3/4" (70mm)	1-1/8" (29mm)	1/2" (13mm)	7/8" (22mm)
3380BN	Universal	3-3/4" (95mm)	1-1/8" (29mm)	1/2" (13mm)	7/8" (22mm)

**\*1/8" sleeve (P/N 14-0378-9001) supplied with all latchbolts to accommodate 1" preps.**

### deadlocking latchbolts

Model No. 380AN supplied standard with all 5300LN series locksets with locking function. Model No. 380AN latchbolt has a 2-1/4" x 1-1/8" front with a 2-3/4" backset and a 1/2" bolt throw. Optional latchbolts with greater backset available to special order.

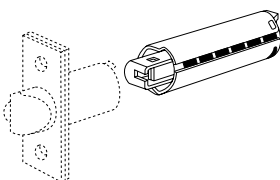


Model No.	Front	Backset	"W" Front Width	Throw	Latch Diameter*
380N	Universal	2-3/8" (60mm)	1" (25mm)	1/2" (13mm)	7/8" (22mm)
380CN	Universal	2-3/4" (70mm)	1" (25mm)	1/2" (13mm)	7/8" (22mm)
3380CN	Universal	3-3/4" (95mm)	1" (25mm)	1/2" (13mm)	7/8" (22mm)
380AN	Universal	2-3/4" (70mm)	1-1/8" (29mm)	1/2" (13mm)	7/8" (22mm)
3380AN	Universal	3-3/4" (95mm)	1-1/8" (29mm)	1/2" (13mm)	7/8" (22mm)

**\*1/8" sleeve (P/N 14-0378-9001) supplied with all latchbolts to accommodate 1" preps.**

### backset extension links

All 5300LN Series locksets are regularly supplied with latchbolts with a 2-3/4" backset. Latchbolts with 2-3/8" and 3-3/4" backsets are available to special order. Backset extension links are also available for attachment to latchbolts with 2-3/8" backsets or to latchbolts with 2-3/4" and 3-3/4" backsets to obtain popular backset lengths.



Backset Desired	Latchbolt Backset	Order Extension Model Number
5"	2-3/8"	381N
5"	2-3/4"	381AN
6"	3-3/4"	381AN

### attaching screws

(Not regularly supplied when latchbolts ordered separately).

#### For All Latchbolts

#8-8-32 x 3/4" Phillips flat head combination wood and machine screws. P/N 81-2012-0416

**All latches have universal fronts, so they fit flat and beveled door fronts. When ordering latchbolts, specify Model No. x Finish (e.g., 380N x 626). Available in 606, 612, 613, 626 and 722.**

## strikes

Yale® 5300LN locks are available with a variety of strike options. All strikes are located on the same vertical and horizontal center lines as the latchbolt. Some strikes are available in a variety of lip lengths to accommodate varying thickness of doors and frames. To determine the proper length of the lip, measure from the center line of the strike to the edge of the jamb, accounting for any interfering trim (i.e. wood molding) and then add 1/4" (6mm) for curved lip. All strikes are reversible. Strikes are fabricated of either brass, bronze or stainless steel, depending on the lockset trim finish. When ordering strikes separately, specify the finish required.

<p><b>Model No. 497 ANSI Strike (Standard)</b> For door and frames with ANSI/BHMA A156.115 preparations. 1-1/4" supplied standard. 1-1/8", 1-1/2", and 1-3/4" lip lengths available by special order.</p>	<p><b>Model No. 371 T-Strike (Optional)</b> 1-1/4" curved lip supplied standard. 1", 1-1/2", 1-3/4", and 2" curved lip lengths available by special order. Wrought strike box supplied.</p>	<p><b>Model No. 497B Blank ANSI Strike (Optional)</b> Available to special order. Installed in frame with standard ANSI/BHMA A156.115 preparation to replace the strike when the lockset has been removed from the door.</p>
<p><b>Model No. 70S Full Lip Strike (Optional)</b> With full lip anti-rattle tab. Wrought strike box supplied.</p>	<p><b>Model No. 71S Full Lip Strike (Optional)</b> 1/4" radius. Similar in dimensions and function to the 70S Strike but with radius corners for easy mortising by power tools. Anti-rattle tab. Wrought strike box supplied.</p>	<p><b>Model No. 202 Strike Box for ANSI Strike (Optional)</b> Specify 497 x 202</p>

## attaching screws

(Not regularly supplied when strikes ordered separately).

### For Model Nos. 371, 70S, and 71S

#8-8-32 x 3/4" (19mm) Phillips flat head combination wood and machine screws.

**P/N 81-2012-0416**

### For Model Nos. 497 and 497B

#12-12-24 x 1" Phillips flat head combination wood and machine screws.

**P/N 81-2012-0620**

**NOTE:** When ordering strike or attaching screws individually, specify the finish required; i.e. 497 x 202 x 606; 81-2012-0620 x 606.

## ordering information

From this outline select the Model Number for the Yale® 5300LN Series Cylindrical Lockset you require.

Design	Function	Latch	Strike	Cylinder	Door Thickness	Finish
See Page 4	See Pages 5-7	See Page 12	See Page 13	See Pages 10-11	See Page 2	See Page 2

## ordering example

Quantity	Design	Function	Latch	Strike	Cylinder	Door Thickness	Finish
100	AU	5307LN	380N	371	1802	1-3/4"	626

## packing

Each box has a strike, paper template, combination wood and machine screws and easy-to-follow instructions. Cylinder functions supplied with two keys and furnished right hand unless otherwise specified. Ten shelf boxes to a case.



## sample specification

---

All locksets shall be 5300LN Series Grade 2 Key-in-Lever Cylindrical Locksets as assembled by Yale Locks & Hardware.

Lockset chassis shall be constructed of heavy-gauge steel and cast components, plated to protect against rust and corrosion. Locksets shall be adjustable for 1-3/8" (35mm) and 1-3/4" (44mm) or 2" (51mm) and 2-1/4" (57mm) door thickness.

Locksets shall be non-handed, and shall install easily without the need for specialized installation tools. Locksets shall have separate anti-rotation through-bolts in the 6 o'clock and 12 o'clock position outside the 2-1/8" face bore, and shall have no exposed mounting screws.

Locksets shall have solid one-piece, cast levers without plastic inserts, and shall be a minimum of 4-5/8" (117mm) in length. Levers shall operate independently and shall have inside and outside lever return springs. Outside levers on the keyed locksets shall be removable only when the designated key is in the cylinder. Vandal-resistant levers shall be offered as a standard feature in all locking functions and shall be Free Wheeling in the locked condition. Locksets that are rigid in the locked condition, or which require resetting (breakaway) are not acceptable.

The latchbolt shall be made of stainless steel.

All locksets shall carry a five-year mechanical warranty. Locksets shall carry a lifetime warranty against lever sag or lever spring breakage.

All locksets shall comply with the following certifications:

- UL 3-Hour Fire Rating
- ANSI/BHMA A156.2 Series 4000, Grade 2
- ANSI A117.1 Accessibility Code
- ANSI/BHMA A156.115 or A156.115-W Preparation

## online literature and templates

---

For the latest information on Yale Locks & Hardware products, visit our website at: [www.yalelocks.com](http://www.yalelocks.com)

Click on the “Product Information” button to find:

- Catalogs
- Parts manuals
- Templates
- Specifications
- Installation instructions

Yale® customers can click on the ebusiness symbol  on the website to register for an ebusiness account to:

- Check the status of orders
- Check availability of QuickShip items
- Track your order and confirm delivery
- Receive email notification of template changes  
And More...

Or contact us at:

### U.S.A.

#### Yale Locks & Hardware

Address: 225 Episcopal Road, Berlin, CT 06037-4004  
Tel: 1-800-438-1951 • Fax: 1-800-338-0965 • [www.yalelocks.com](http://www.yalelocks.com)

### Canada:

#### ASSA ABLOY Door Security Solutions Canada

Address: 160 Four Valley Drive, Vaughan, Ontario L4K 4T9  
Tel: 1-800-461-3007 • Fax: 1-800-461-8989 • [www.assaabloy.ca](http://www.assaabloy.ca)

### International:

#### ASSA ABLOY Americas International

Tel: 1-905-821-7775 • Fax: 1-905-821-1429 • [www.assaabloyai.com](http://www.assaabloyai.com)

Yale Locks & Hardware is a division of Yale Security Inc., an ASSA ABLOY Group company.

Yale®, MicroShield® and SecureX® are registered trademarks of Yale Security Inc., an ASSA ABLOY Group company. KeyMark® and Security Leg® are registered trademarks of Medeco Security Locks, Inc., an ASSA ABLOY Group company. Other products' brand names may be trademarks or registered trademarks of their respective owners and are mentioned for reference purposes only. These materials are protected under U.S. copyright laws. All contents current at time of publication. Yale Security Inc. reserves the right to change availability of any item in this catalog, its design, construction, and/or its materials. Copyright © 1999, 2012, Yale Security Inc., an ASSA ABLOY Group company. All rights reserved. Reproduction in whole or in part without the express written permission of Yale Security Inc., an ASSA ABLOY Group company is prohibited.

**YALE**, with its unique global reach and range of products, is the world's favorite lock.

**ASSA ABLOY** is the global leader in door opening solutions, dedicated to satisfying end-user needs for security, safety and convenience.

42123-9/12R